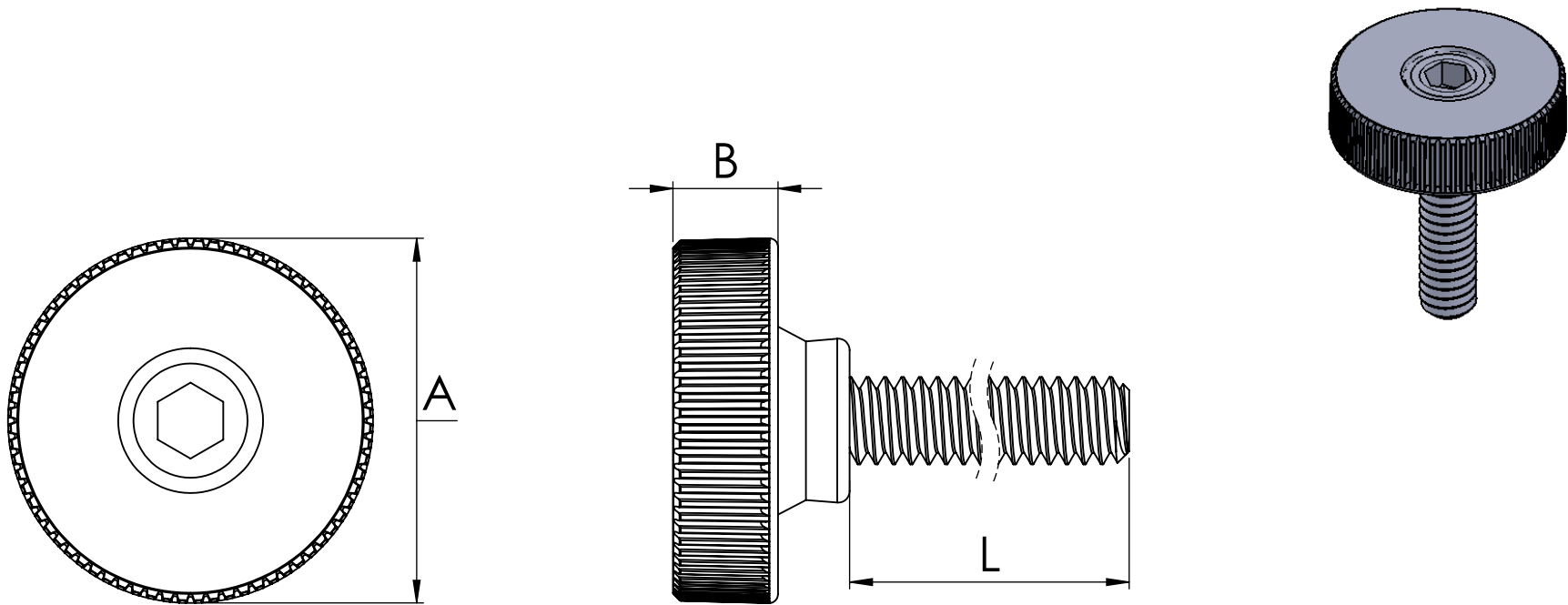


Note on L (Length): For standard screw lengths, thread pitches and part numbers, Please refer to the table found at www.shear-loc.com/products/keydrive

A multitude of thread lengths are available beyond the stated standards. Please call 949-768-8985 for availability.

Dimensions (In Inches)			Shear-Loc Products 23191 Peralta Dr. Laguna Hills, CA 92653 PHONE: 949-768-8985 FAX: 949-768-8705 Email: sales@shear-loc.com https://www.shear-loc.com ©2020 Shear-Loc Products®	NAME	DATE	
THREAD	A	B		DRAWN	A.Kovacs	
1/4 - 20	3/4"	1/2"	<small>PROPRIETARY AND CONFIDENTIAL</small> THE INFORMATION CONTAINED IN THIS DRAWING IS THE SOLE PROPERTY OF SHEAR-LOC PRODUCTS. ANY REPRODUCTION IN PART OR AS A WHOLE WITHOUT THE WRITTEN PERMISSION OF SHEAR-LOC PRODUCTS IS PROHIBITED.	COMMENTS:		3/4 Inch Dia. Extended Knurled Key Drive Thumbscrew
1/4 - 28	3/4"	1/2"		SIZE A	DWG. NO. Extended 3/4 Inch Dia. Knurled Assembled Key Drive	REV
SCALE: NONE		WEIGHT:		SHEET 1 OF 1		



Note on L (Length): For standard screw lengths, thread pitches and part numbers, Please refer to the table found at www.shear-loc.com/products/keydrive

A multitude of thread lengths are available beyond the stated standards. Please call 949-768-8985 for availability.

Dimensions (In Inches)			Shear-Loc Products 23191 Peralta Dr. Laguna Hills, CA 92653 PHONE: 949-768-8985 FAX: 949-768-8705 Email: sales@shear-loc.com https://www.shear-loc.com ©2020 Shear-Loc Products®	NAME	DATE		
THREAD	A	B		DRAWN	A.Kovacs		
1/4 - 20	1"	1/2"	CHECKED			1 Inch Dia. Extended Knurled Key Drive Thumbscrew	
1/4 - 28	1"	1/2"	COMMENTS:				
			PROPRIETARY AND CONFIDENTIAL <small>THE INFORMATION CONTAINED IN THIS DRAWING IS THE SOLE PROPERTY OF SHEAR-LOC PRODUCTS. ANY REPRODUCTION IN PART OR AS A WHOLE WITHOUT THE WRITTEN PERMISSION OF SHEAR-LOC PRODUCTS IS PROHIBITED.</small>		SIZE	DWG. NO.	REV
					A	Extended 1 Inch Dia. Knurled Assembled Key Drive	
					SCALE: NONE	WEIGHT:	SHEET 1 OF 1