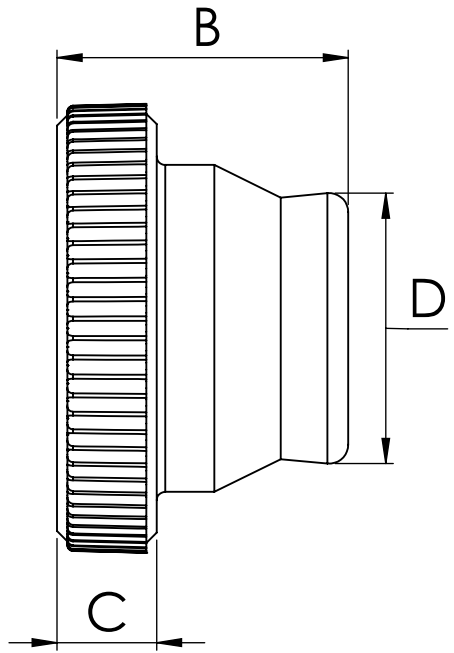
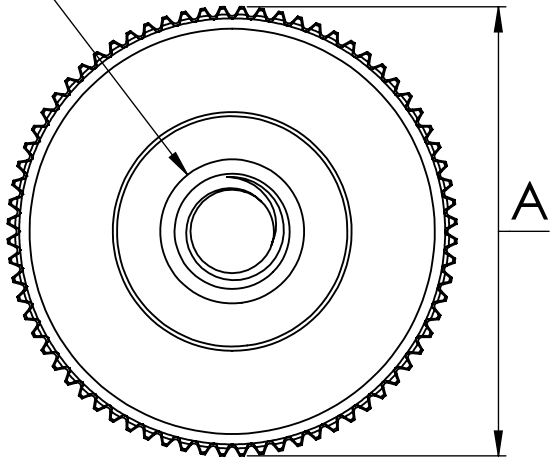


THREAD



NOTE: 1/4-20 & 1/4-28 aluminum inserts have .256" length of thread.
 8-32, 10-24 and 10-32 thread length is equivalent to dimension "B".

Dimensions (In Inches)					Shear-Loc Products 23191 Peralta Dr. Laguna Hills, CA 92653 PHONE: 949-768-8985 FAX: 949-768-8705 Email: sales@shear-loc.com https://www.shear-loc.com ©2020 Shear-Loc Products®	NAME	DATE			
THREAD	A	B	C	D		DRAWN	A.Kovacs			
8 - 32	3/4"	1/2"	11/64"	9/20"		CHECKED		3/4" Extended Knurled Knob with Aluminum Insert		
10 - 24	3/4"	1/2"	11/64"	9/20"		COMMENTS:		SIZE DWG. NO. REV		
10 - 32	3/4"	1/2"	11/64"	9/20"		PROPRIETARY AND CONFIDENTIAL THE INFORMATION CONTAINED IN THIS DRAWING IS THE SOLE PROPERTY OF SHEAR-LOC PRODUCTS. ANY REPRODUCTION IN PART OR AS A WHOLE WITHOUT THE WRITTEN PERMISSION OF SHEAR-LOC PRODUCTS IS PROHIBITED.		A X03 SERIES		
1/4 - 20	3/4"	1/2"	11/64"	9/20"				SCALE: NONE		WEIGHT:
1/4 - 28	3/4"	1/2"	11/64"	9/20"						

5

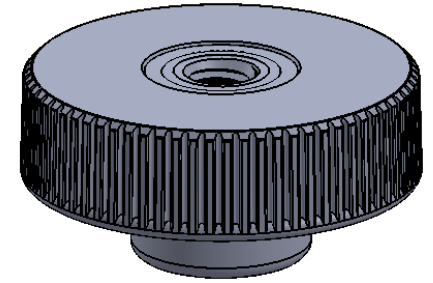
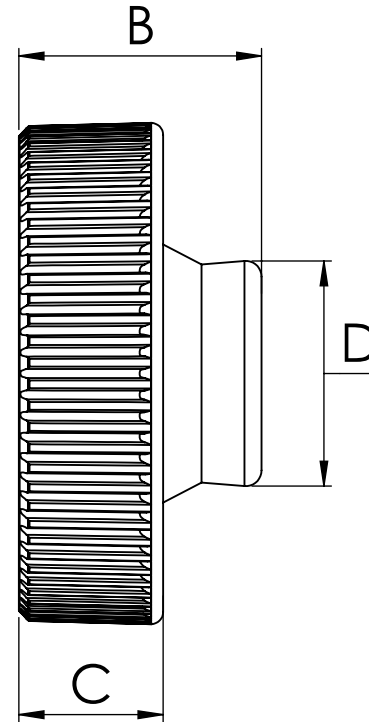
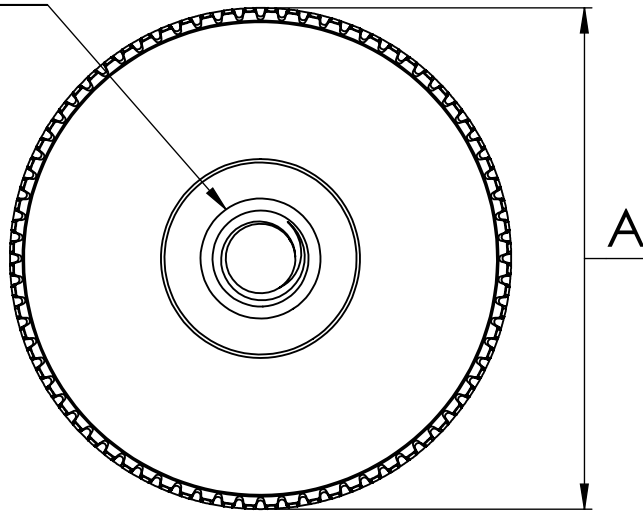
4

3

2

1

THREAD



NOTE: 1/4-20 & 1/4-28 aluminum inserts have 0.256" length of thread.
 8-32, 10-24 and 10-32 thread length is equivalent to dimension "B".

Dimensions (Metric in mm)					Shear-Loc Products 23191 Peralta Dr. Laguna Hills, CA 92653 PHONE: 949-768-8985 FAX: 949-768-8705 Email: sales@shear-loc.com https://www.shear-loc.com ©2020 Shear-Loc Products®	NAME	DATE			
THREAD	A	B	C	D		DRAWN	A.Kovacs			
8 - 32	1"	1/2"	19/64"	9/20"		CHECKED		SIZE DWG. NO. REV A X04 SERIES		
10 - 24	1"	1/2"	19/64"	9/20"		COMMENTS:				
10 - 32	1"	1/2"	19/64"	9/20"		PROPRIETARY AND CONFIDENTIAL THE INFORMATION CONTAINED IN THIS DRAWING IS THE SOLE PROPERTY OF SHEAR-LOC PRODUCTS. ANY REPRODUCTION IN PART OR AS A WHOLE WITHOUT THE WRITTEN PERMISSION OF SHEAR-LOC PRODUCTS IS PROHIBITED.				
1/4 - 20	1"	1/2"	19/64"	9/20"						
1/4 - 28	1"	1/2"	19/64"	9/20"						