

Dimensions (In Inches)

THREAD	A	B	C	D
4 - 40	5/16"	3/16"	9/64"	9/32"
6 - 32	3/8"	7/32"	11/64"	23/64"
8 - 32	1/2"	17/64"	11/64"	25/64"
10-24/32	5/8"	19/64"	11/64"	29/64"
1/4-20/28	3/4"	23/64"	11/64"	17/32"

Shear-Loc Products

23191 Peralta Dr.
Laguna Hills, CA 92653

PHONE: 949-768-8985

FAX: 949-768-8705

Email: sales@shear-loc.com

<https://www.shear-loc.com>

©2020 Shear-Loc Products®

	NAME	DATE
DRAWN	A.Kovacs	
CHECKED		

COMMENTS:

PROPRIETARY AND CONFIDENTIAL

THE INFORMATION CONTAINED IN THIS DRAWING IS THE SOLE PROPERTY OF SHEAR-LOC PRODUCTS. ANY REPRODUCTION IN PART OR AS A WHOLE WITHOUT THE WRITTEN PERMISSION OF SHEAR-LOC PRODUCTS IS PROHIBITED.

shear-loc
PRODUCTS *Since 1969*

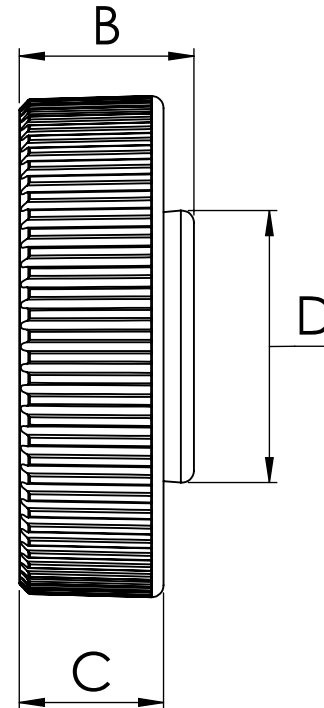
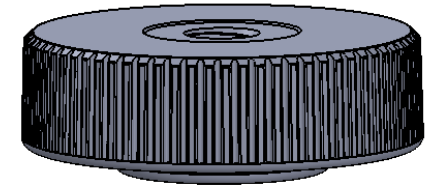
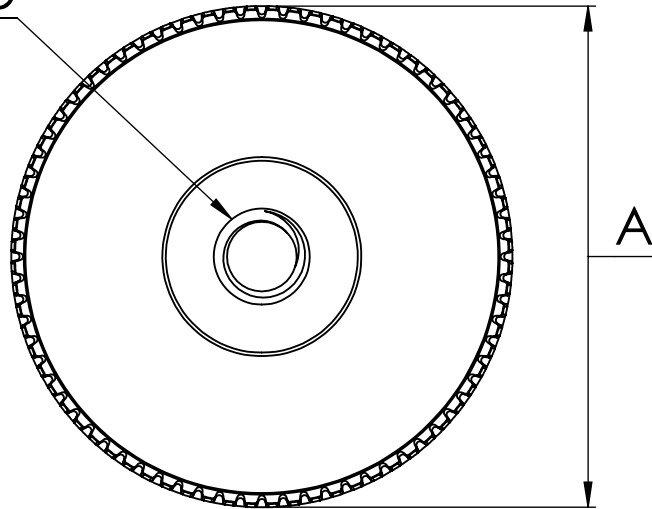
TITLE:

Knurled Knob with
Aluminum Insert

SIZE	DWG. NO.	REV
A	F00-F03	

SCALE: NONE WEIGHT: SHEET 1 OF 1

THREAD



Dimensions (In Inches)

THREAD	A	B	C	D
1/4-20 1/4-28	1"	23/64"	19/64"	9/16"
5/16-18 5/16-24	1"	27/64"	19/64"	41/64"

Shear-Loc Products

23191 Peralta Dr.
Laguna Hills, CA 92653

PHONE: 949-768-8985

FAX: 949-768-8705

Email: sales@shear-loc.com

https://www.shear-loc.com

©2020 Shear-Loc Products®

NAME

DATE

DRAWN A.Kovacs

CHECKED

COMMENTS:

PROPRIETARY AND CONFIDENTIAL

THE INFORMATION CONTAINED IN THIS DRAWING IS THE SOLE PROPERTY OF SHEAR-LOC PRODUCTS. ANY REPRODUCTION IN PART OR AS A WHOLE WITHOUT THE WRITTEN PERMISSION OF SHEAR-LOC PRODUCTS IS PROHIBITED.

shear-loc
PRODUCTS *Since 1969*

TITLE:

1 Inch Knurled Knob
with Aluminum Insert

SIZE

DWG. NO.

REV

A

F04 & F06

SCALE: NONE

WEIGHT:

SHEET 1 OF 1