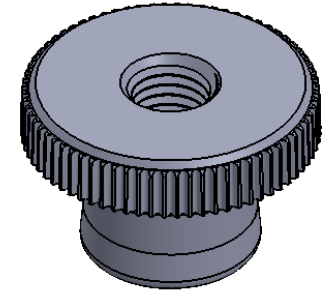
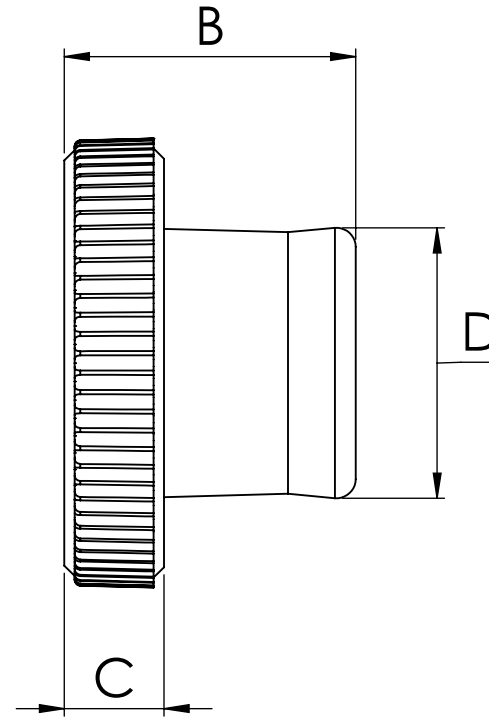
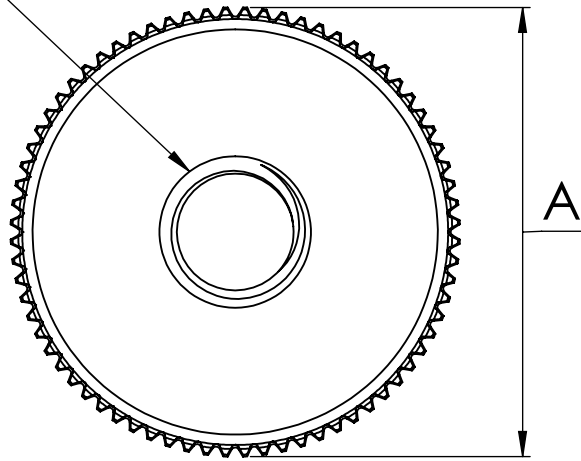


THREAD



Dimensions (Metric in mm)

THREAD	A	B	C	D
M6 X 1.0	19.0	12.5	4.3	11.5

Shear-Loc Products
 23191 Peralta Dr.
 Laguna Hills, CA 92653
 PHONE: 949-768-8985
 FAX: 949-768-8705
 Email: sales@shear-loc.com
<https://www.shear-loc.com>
 ©2020 Shear-Loc Products®

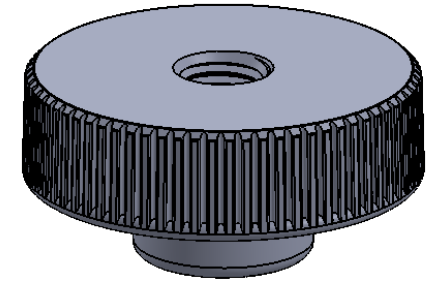
	NAME	DATE
DRAWN	A.Kovacs	
CHECKED		
COMMENTS:		
PROPRIETARY AND CONFIDENTIAL		
THE INFORMATION CONTAINED IN THIS DRAWING IS THE SOLE PROPERTY OF SHEAR-LOC PRODUCTS. ANY REPRODUCTION IN PART OR AS A WHOLE WITHOUT THE WRITTEN PERMISSION OF SHEAR-LOC PRODUCTS IS PROHIBITED.		

shear-Loc
 PRODUCTS *Since 1969*

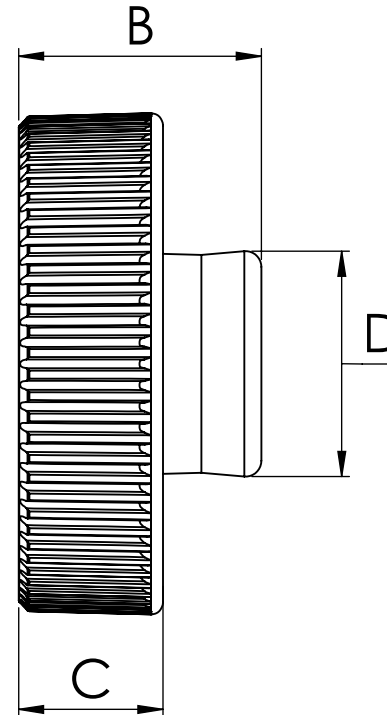
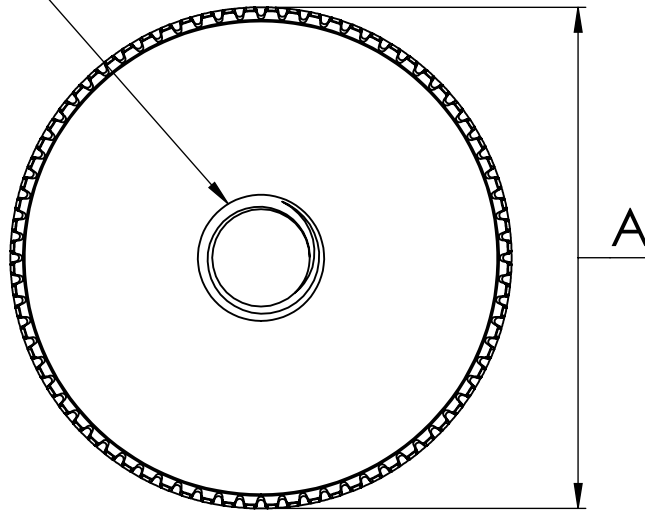
TITLE:
 19mm Knurled Knob with
 Machine Tapped Hole

SIZE	DWG. NO.	REV
A	TH03B-MT-M6X1.0P	

SCALE: NONE | WEIGHT: | SHEET 1 OF 1



THREAD



Dimensions (Metric in mm)

THREAD	A	B	C	D
M6 X 1.0	26.0	12.5	7.6	11.5

Shear-Loc Products
 23191 Peralta Dr.
 Laguna Hills, CA 92653
 PHONE: 949-768-8985
 FAX: 949-768-8705
 Email: sales@shear-loc.com
<https://www.shear-loc.com>
 ©2020 Shear-Loc Products®

	NAME	DATE
DRAWN	A.Kovacs	
CHECKED		
COMMENTS:		

PROPRIETARY AND CONFIDENTIAL
 THE INFORMATION CONTAINED IN THIS DRAWING IS THE SOLE PROPERTY OF SHEAR-LOC PRODUCTS. ANY REPRODUCTION IN PART OR AS A WHOLE WITHOUT THE WRITTEN PERMISSION OF SHEAR-LOC PRODUCTS IS PROHIBITED.

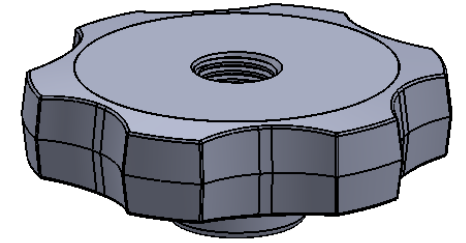
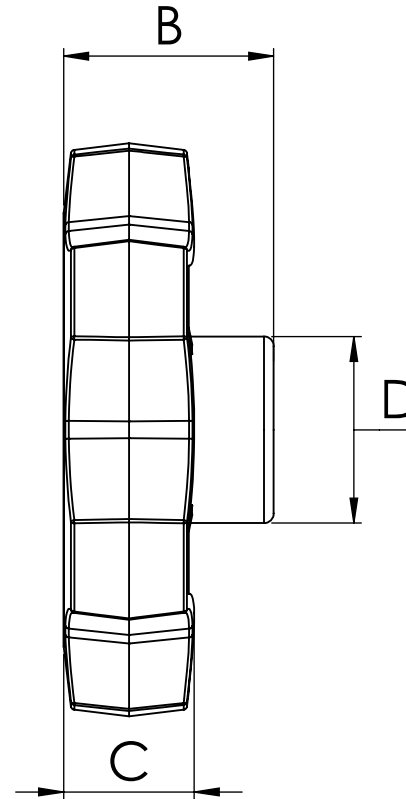
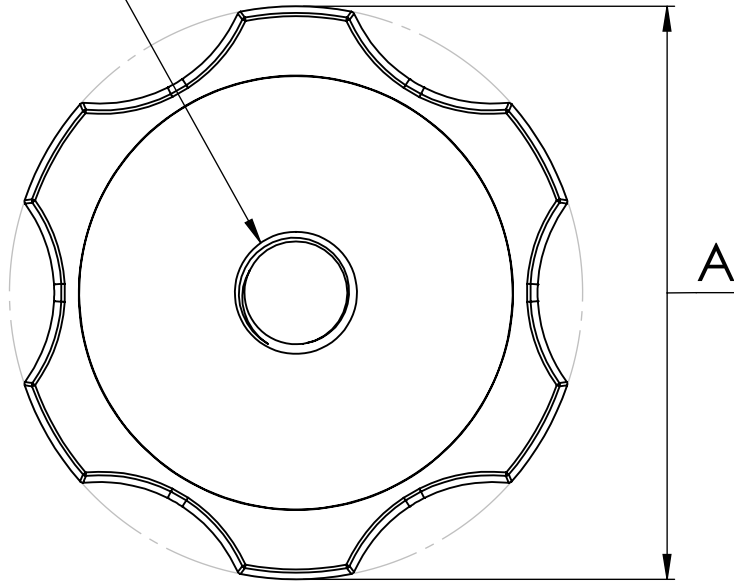
shear-loc
 PRODUCTS *Since 1969*

TITLE:
 26mm Knurled Knob with Machine Tapped Hole

SIZE	DWG. NO.	REV
A	TH04B-MT-M6X1.0P	

SCALE: NONE | WEIGHT: | SHEET 1 OF 1

THREAD



Dimensions (Metric in mm)

THREAD	A	B	C	D
M8 X 1.25	38.0	14.5	9.6	12.4

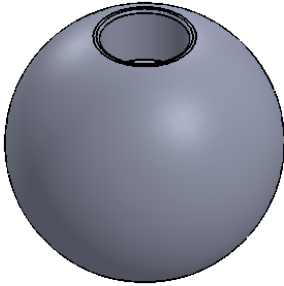
Shear-Loc Products
 23191 Peralta Dr.
 Laguna Hills, CA 92653
 PHONE: 949-768-8985
 FAX: 949-768-8705
 Email: sales@shear-loc.com
<https://www.shear-loc.com>
 ©2020 Shear-Loc Products®

	NAME	DATE
DRAWN	A.Kovacs	
CHECKED		
COMMENTS:		
PROPRIETARY AND CONFIDENTIAL		
THE INFORMATION CONTAINED IN THIS DRAWING IS THE SOLE PROPERTY OF SHEAR-LOC PRODUCTS. ANY REPRODUCTION IN PART OR AS A WHOLE WITHOUT THE WRITTEN PERMISSION OF SHEAR-LOC PRODUCTS IS PROHIBITED.		

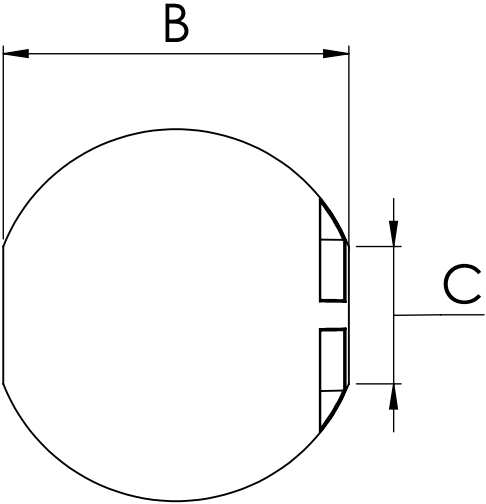
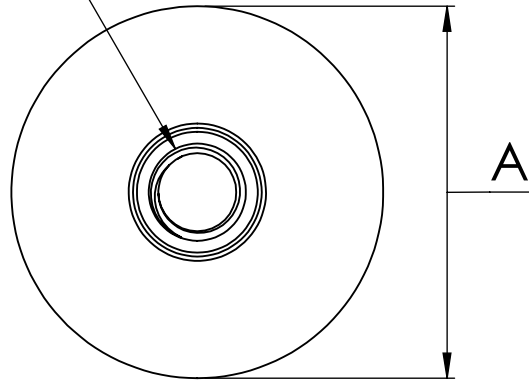
shear-loc
 PRODUCTS *Since 1969*

TITLE:
38mm Rosette Knob with Machine Tapped Hole

SIZE	DWG. NO.	REV
A	TH08B-MT-M8X1.2P	
SCALE: NONE	WEIGHT:	SHEET 1 OF 1



THREAD



Dimensions (Metric in mm)

THREAD	A	B	C
M6 X 1.0	24.60	22.75	10.10

Shear-Loc Products
 23191 Peralta Dr.
 Laguna Hills, CA 92653
 PHONE: 949-768-8985
 FAX: 949-768-8705
 Email: sales@shear-loc.com
<https://www.shear-loc.com>
 ©2020 Shear-Loc Products®

	NAME	DATE
DRAWN	A.Kovacs	
CHECKED		
COMMENTS:		
PROPRIETARY AND CONFIDENTIAL		
<small>THE INFORMATION CONTAINED IN THIS DRAWING IS THE SOLE PROPERTY OF SHEAR-LOC PRODUCTS. ANY REPRODUCTION IN PART OR AS A WHOLE WITHOUT THE WRITTEN PERMISSION OF SHEAR-LOC PRODUCTS IS PROHIBITED.</small>		



TITLE:
 24.6mm Ball Knob with
 Machine Tapped Hole

SIZE	DWG. NO.	REV
A	TB2-MT Metric	
SCALE: NONE	WEIGHT:	SHEET 1 OF 1