

Dimensions (Metric in mm)

THREAD	A	B	C	D
M3 X 0.5	9.6	5.6	4.0	9.0
M4 X 0.5	13.0	6.3	4.0	10.0
M5 X 0.8	16.0	7.25	4.3	12.25
M6 X 1.0	19.0	9.0	4.3	14.0

Shear-Loc Products

23191 Peralta Dr.
Laguna Hills, CA 92653

PHONE: 949-768-8985

FAX: 949-768-8705

Email: sales@shear-loc.com

<https://www.shear-loc.com>

©2020 Shear-Loc Products®

	NAME	DATE
DRAWN	A.Kovacs	
CHECKED		

COMMENTS:

PROPRIETARY AND CONFIDENTIAL

THE INFORMATION CONTAINED IN THIS DRAWING IS THE SOLE PROPERTY OF SHEAR-LOC PRODUCTS. ANY REPRODUCTION IN PART OR AS A WHOLE WITHOUT THE WRITTEN PERMISSION OF SHEAR-LOC PRODUCTS IS PROHIBITED.

shear-loc
PRODUCTS *Since 1969*

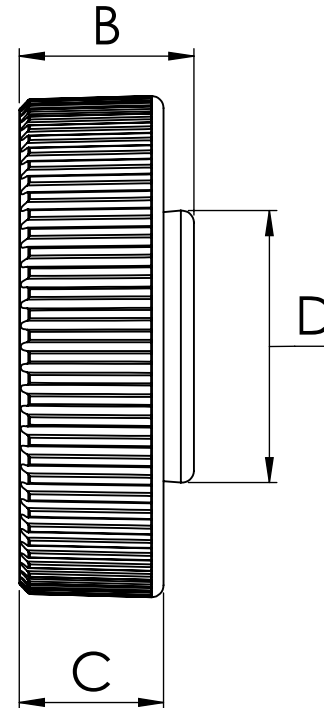
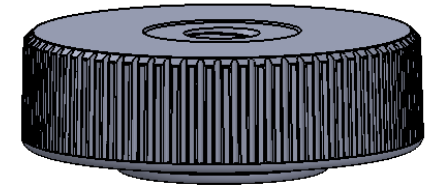
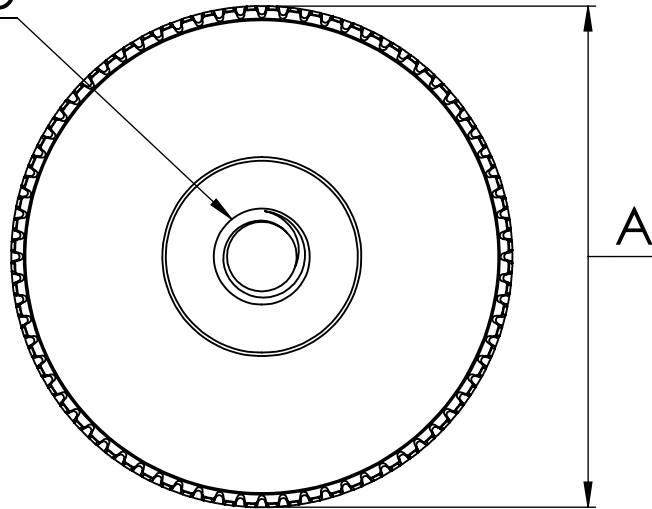
TITLE:

Knurled Knob with
Aluminum Insert

SIZE	DWG. NO.	REV
A	F28-F31	

SCALE: NONE	WEIGHT:	SHEET 1 OF 1

THREAD



Dimensions (Metric in mm)

THREAD	A	B	C	D
M6 X 1.0	26.0	8.8	7.25	14.0
M8 X 1.25	26.0	10.5	7.25	16.3

Shear-Loc Products

23191 Peralta Dr.
Laguna Hills, CA 92653

PHONE: 949-768-8985

FAX: 949-768-8705

Email: sales@shear-loc.com

<https://www.shear-loc.com>

©2020 Shear-Loc Products®

NAME DATE

DRAWN A.Kovacs

CHECKED

COMMENTS:

PROPRIETARY AND CONFIDENTIAL

THE INFORMATION CONTAINED IN THIS DRAWING IS THE SOLE PROPERTY OF SHEAR-LOC PRODUCTS. ANY REPRODUCTION IN PART OR AS A WHOLE WITHOUT THE WRITTEN PERMISSION OF SHEAR-LOC PRODUCTS IS PROHIBITED.

shear-Loc
PRODUCTS Since 1969

TITLE:

26 mm Knurled Knob
with Aluminum Insert

SIZE A	DWG. NO. F32-F33	REV
------------------	----------------------------	-----

SCALE: NONE	WEIGHT:	SHEET 1 OF 1
-------------	---------	--------------