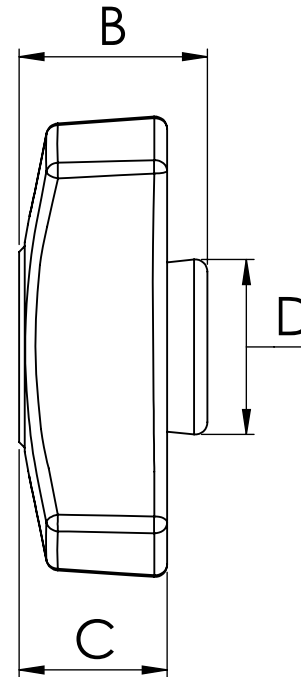
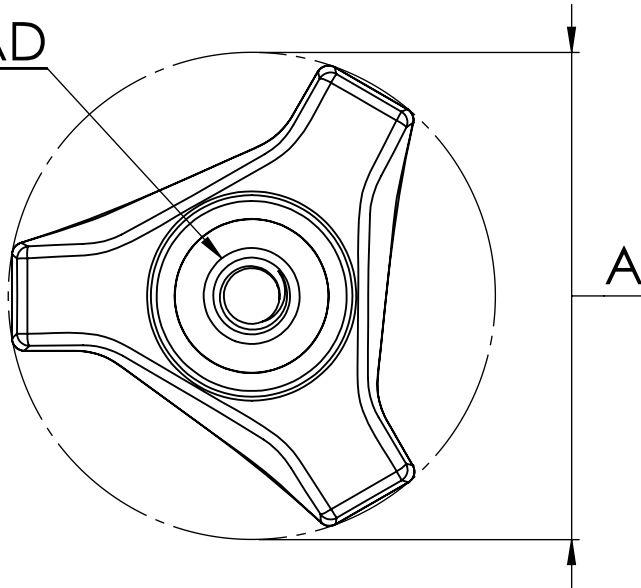


THREAD



NOTE: 1/4-20 aluminum insert has 0.256" length of thread.
 8-32, 10-24, and 10-32 thread length is equivalent to dimension "B".

Dimensions (In Inches)					Shear-Loc Products 23191 Peralta Dr. Laguna Hills, CA 92653 PHONE: 949-768-8985 FAX: 949-768-8705 Email: sales@shear-loc.com https://www.shear-loc.com ©2020 Shear-Loc Products®	NAME	DATE				
THREAD	A	B	C	D		DRAWN	A.Kovacs				TITLE:
8 - 32	1-1/4"	1/2"	3/8"	9/20"		COMMENTS:	1 1/4" Tri-Lobe Knob with Aluminum Insert				
10 - 24	1-1/4"	1/2"	3/8"	9/20"		PROPRIETARY AND CONFIDENTIAL THE INFORMATION CONTAINED IN THIS DRAWING IS THE SOLE PROPERTY OF SHEAR-LOC PRODUCTS. ANY REPRODUCTION IN PART OR AS A WHOLE WITHOUT THE WRITTEN PERMISSION OF SHEAR-LOC PRODUCTS IS PROHIBITED.			SIZE	DWG. NO.	REV
10 - 32	1-1/4"	1/2"	3/8"	9/20"					A	TT3 SERIES	
1/4 - 20	1-1/4"	1/2"	3/8"	9/20"	SCALE: NONE	WEIGHT:	SHEET 1 OF 1				