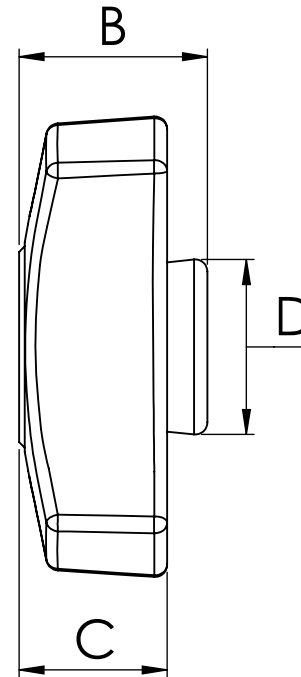
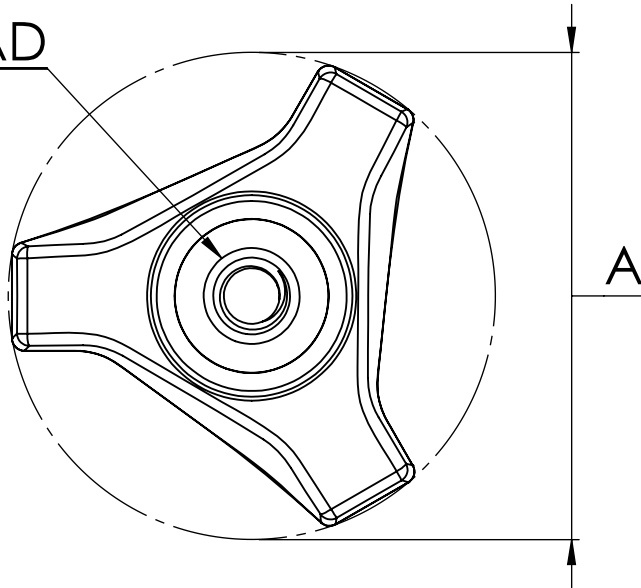


THREAD



NOTE: M6 x 1.0 aluminum insert has 6.5mm length of thread.
M4 and M5 thread length is equivalent to dimension "B".

Dimensions (Metric in mm)					Shear-Loc Products 23191 Peralta Dr. Laguna Hills, CA 92653 PHONE: 949-768-8985 FAX: 949-768-8705 Email: sales@shear-loc.com https://www.shear-loc.com ©2020 Shear-Loc Products®	NAME	DATE			
THREAD	A	B	C	D		DRAWN	A.Kovacs	TITLE:		
M4 X 0.7	32.0	12.5	9.65	11.5		CHECKED		32mm Tri-Lobe Knob with Aluminum Insert		
M5 X 0.8	32.0	12.5	9.65	11.5		COMMENTS:		SIZE DWG. NO. REV		
M6 X 1.0	32.0	12.5	9.65	11.5		PROPRIETARY AND CONFIDENTIAL THE INFORMATION CONTAINED IN THIS DRAWING IS THE SOLE PROPERTY OF SHEAR-LOC PRODUCTS. ANY REPRODUCTION IN PART OR AS A WHOLE WITHOUT THE WRITTEN PERMISSION OF SHEAR-LOC PRODUCTS IS PROHIBITED.		A TT3 SERIES		
					SCALE: NONE		WEIGHT:		SHEET 1 OF 1	